

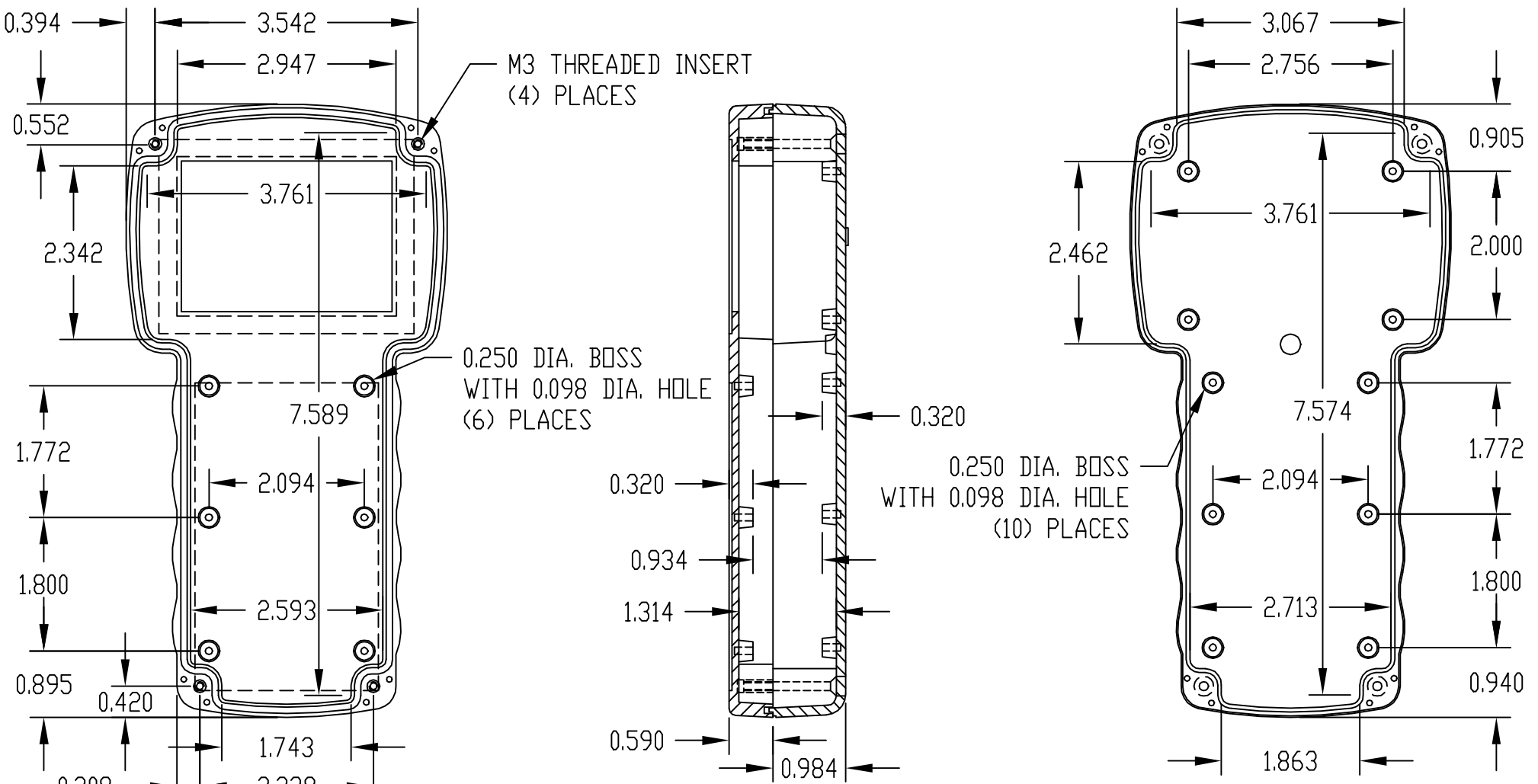
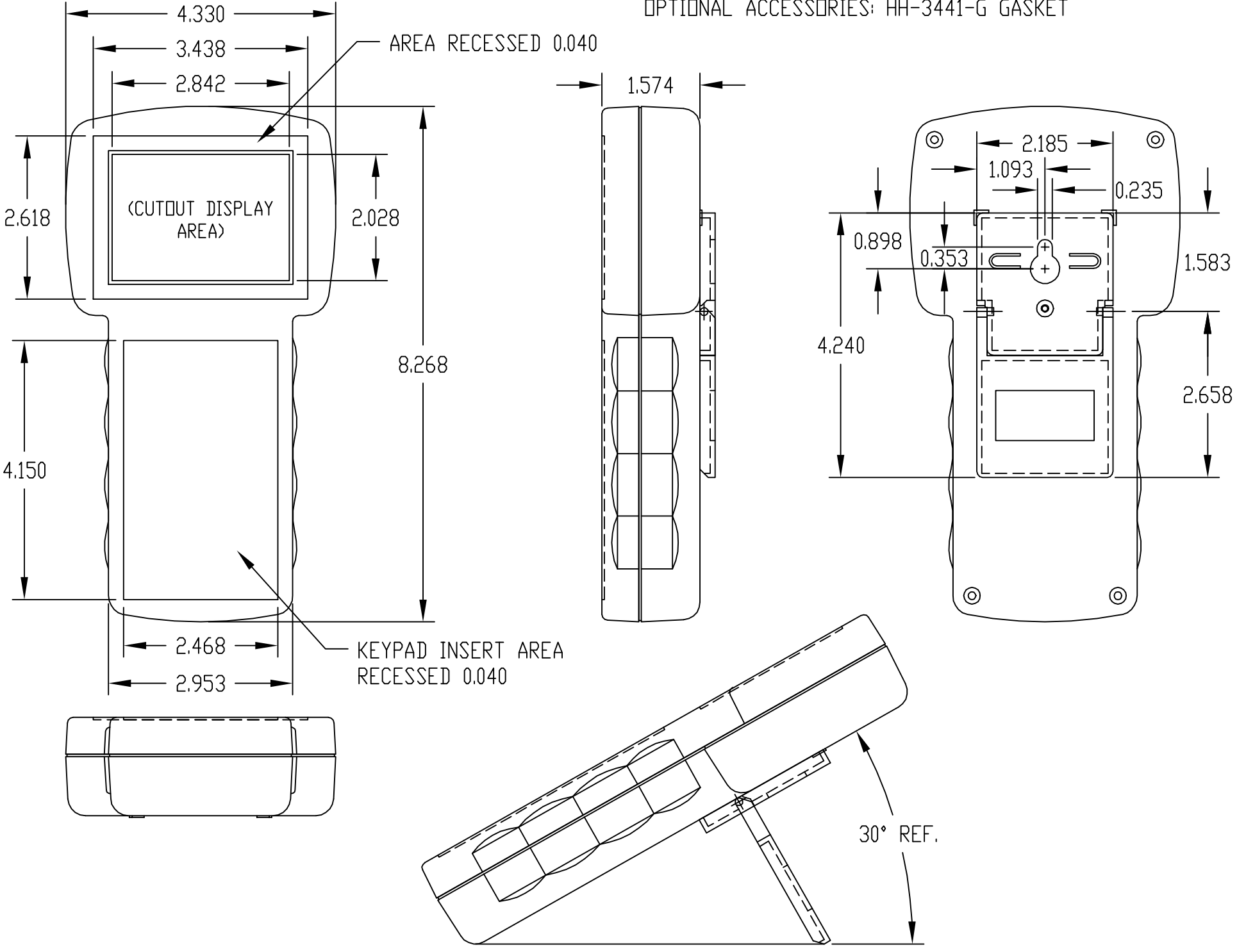
PART NAME	HAND HELD ENCLOSURE (STYLE G)	PART No.	HH-3498-B & HH-3498-G	REV. DATE	
-----------	-------------------------------	----------	-----------------------	-----------	--

**MATERIAL:**  
HIGH-IMPACT ABS (FLAMMABILITY RATING OF UL94V-0)

ALL DIMENSIONS HAVE  $\pm 0.015$  TOLERANCE.

**FINISH:**  
(SUFFIX -B) \_\_\_\_\_ BLACK  
(SUFFIX -G) \_\_\_\_\_ LIGHT GRAY

FOUR (4) M3 x 1.173 LG. SCREWS SUPPLIED FOR ASSEMBLY.  
ONE (1) M3 x 0.394 LG. SCREW SUPPLIED FOR TILT STAND.  
WALL MOUNT/TILT STAND SUPPLIED UNASSEMBLED.  
OPTIONAL ACCESSORIES: HH-3441-G GASKET



NOTE: MOUNTING BOSSES USE EITHER M2.5 METRIC OR #4 STD. SHEET METAL SCREWS x 0.250 LG (NOT SUPPLIED)

INSIDE VIEW OF BOTTOM

INSIDE VIEW OF TOP